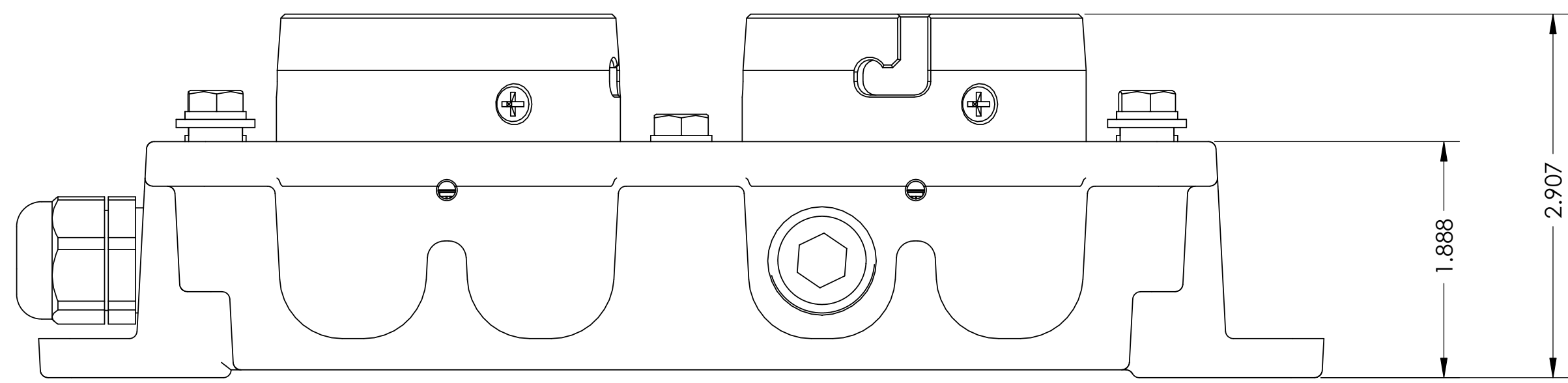
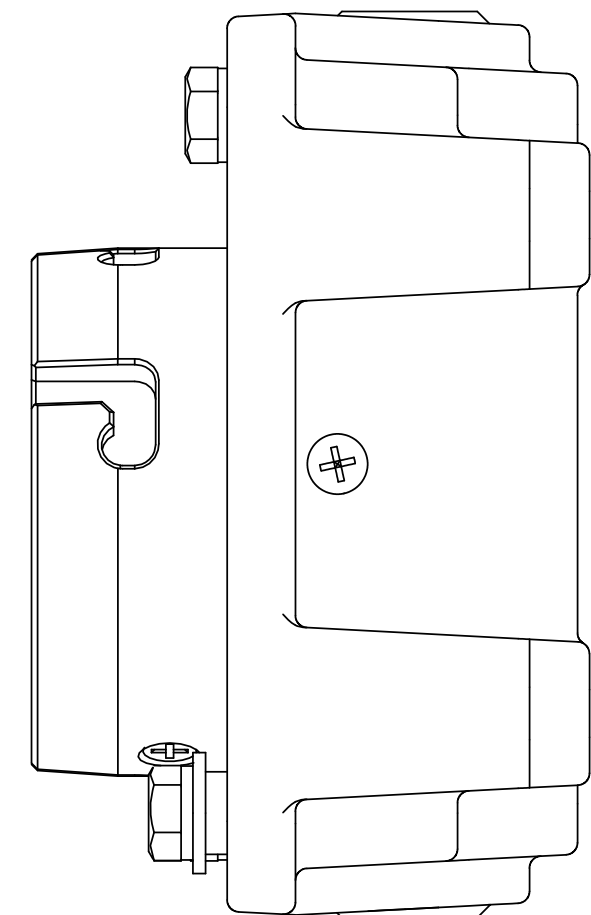
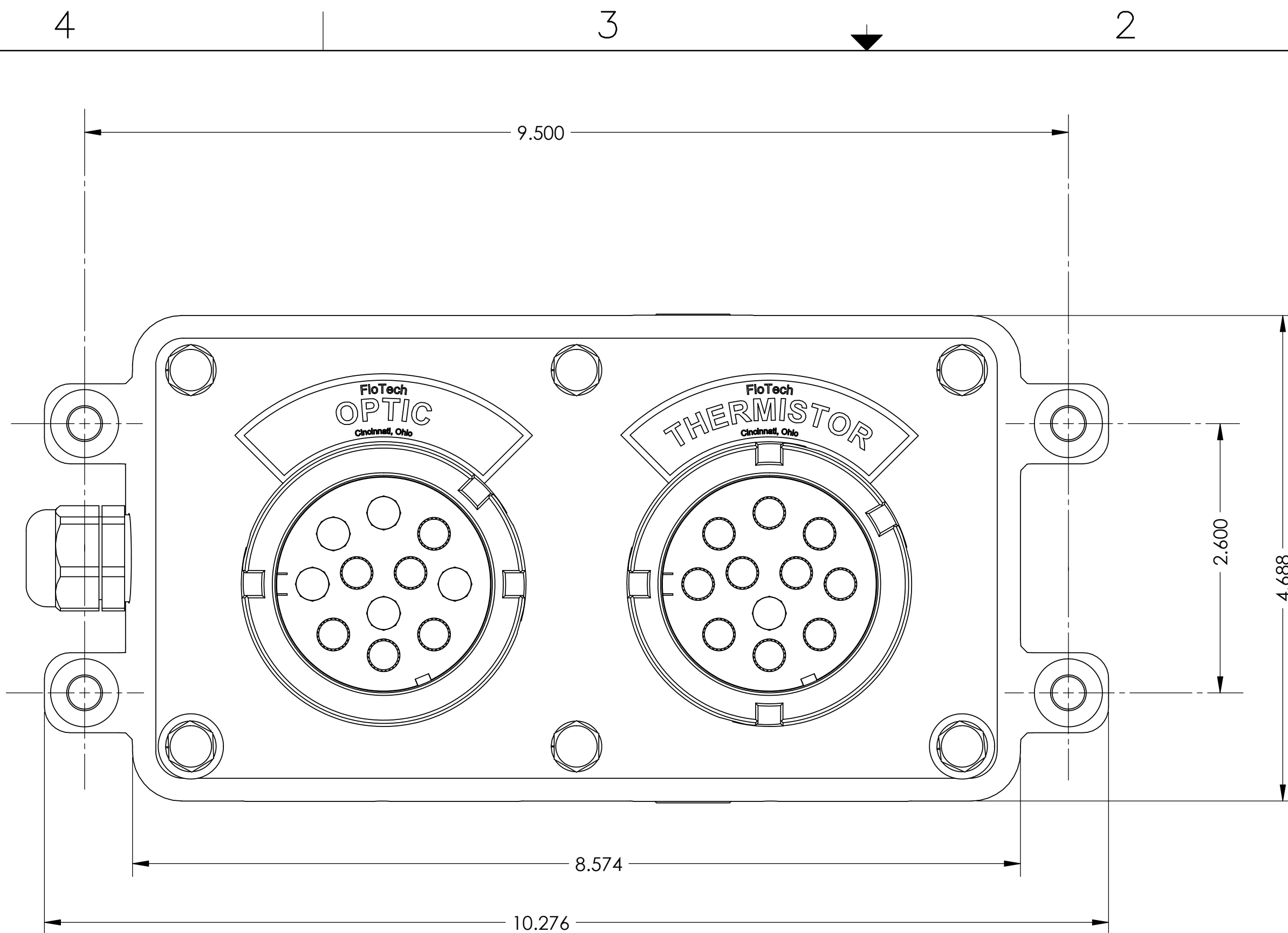


| REVISIONS |             |      |          |
|-----------|-------------|------|----------|
| REV       | DESCRIPTION | DATE | APPROVED |
|           |             |      |          |
|           |             |      |          |



|  |  |  |                             |
|--|--|--|-----------------------------|
| <b>Dixon Bayco USA</b><br>Cincinnati, Ohio, U.S.A<br>A DVCC Inc. Company   |  | TITLE<br><b>FT390 DUAL API SOCKET<br/>CUSTOMER DRAWING</b> |                             |
| <small>THIS DRAWING IS CONFIDENTIAL PROPERTY OF DIXON BAYCO USA, A DIVISION OF DVCC AND IS SUBJECT TO RETURN ON DEMAND.<br/>© COPYRIGHT 2000 DO NOT COPY.</small>                                    |  |  |                             |
| <small>DIM. TOLERANCES UNLESS SPECIFIED<br/>INCHES .X +/- .050 MACHINE FRACTION +/- 1/64<br/>.XX +/- .010 ROUGH CASTINGS +/- 1/32<br/>.XXX +/- .005 SURF. FINISH 125 AA MAX<br/>ANGLES :1/2°</small> |  | SIZE<br><b>C</b>   | DRAWN BY<br><b>FAHL</b>     |
| SCALE <b>FULL</b>  |  | DATE <b>20MAY2004</b>                                      | DWG NO.<br><b>FT390-CST</b> |
| SHEET <b>1</b> OF <b>1</b>   |  | REV<br><b>-</b>  |                             |