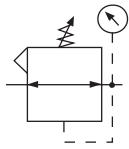
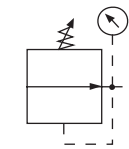


Regulator R28



Relieving



Non-Relieving



Specifications

Flow Capacity*	3/8	228 SCFM (108 dm ³ /s, ANR)
	1/2	233 SCFM (110 dm ³ /s, ANR)
	3/4	233 SCFM (110 dm ³ /s, ANR)
Adjusting Range Pressure		0 to 30 PSIG (0 to 2 bar)
		0 to 60 PSIG (0 to 4 bar)
		0 to 125 PSIG (0 to 8 bar)
		0 to 250 PSIG (0 to 17 bar)

Gauge Port (2 ea.)	NPT / BSPP-G	1/4
Maximum Supply Pressure		300 PSIG (20.7 bar)
Operating Temperature		-13° to 150°F (-25° to 65.5°C)
Port Size	NPT / BSPP-G	3/8, 1/2, 3/4
Weight		1.37 lb. (0.62 kg)

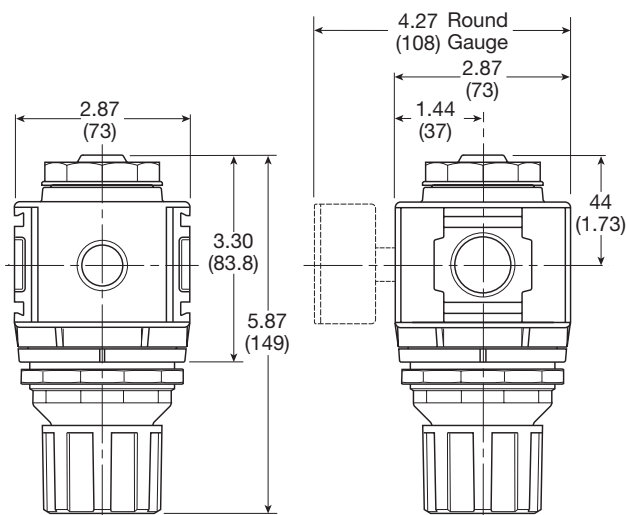
* Inlet pressure 145 psig (10 bar). Secondary pressure 91.3 psig (6.3 bar) and 14.5 psig (1 bar) pressure drop.

Features

- Balanced Valve Design
- Spring-loaded Diaphragm
- 4 Adjusting Pressure Ranges Available
- 3/4" NPT / BSPP-G Over-port
- Reverse-flow Available
- 2 Gauge Ports

Materials of Construction

Adjustment Knob	Acetal
Body	Aluminum
Body Cap	ABS
Bonnet	33% Glass-filled Nylon
Diaphragm Assembly	Nitrile / Zinc
Panel Nut	Acetal
Seals	Nitrile
Springs	Main Regulating Valve: Steel, Stainless Steel
Valve Assembly	Brass / Nitrile / Acetal



Inches (mm)

NOTE: 2.40 in. (61mm) hole required for panel nut mounting.

⚠ WARNING

**Product rupture can cause serious injury.
Do not connect regulator to bottled gas.
Do not exceed maximum primary pressure rating.**

CAUTION:

REGULATOR PRESSURE ADJUSTMENT – The working range of knob adjustment is designed to permit outlet pressures within their full range. Pressure adjustment beyond this range is also possible because the knob is not a limiting device. This is a common characteristic of most industrial regulators, and limiting devices may be obtained only by special design.

For best performance, regulated pressure should always be set by increasing the pressure up to the desired setting.

= "Most Popular"

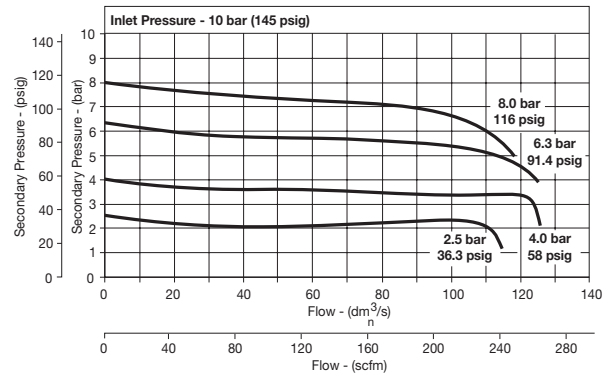
Replacement Kits

- Diaphragm Assembly –
 - Non-relieving RRP-96-987
 - Relieving RRP-96-986
- Valve Assembly RRP-96-049
- Adjusting Knob RRP-16-341-000
- Spring, Regulating
 - 0 to 30 PSIG (0 to 2.1 bar) RRP-96-163
 - 0 to 60 PSIG (0 to 4.1 bar) RRP-96-164
 - 0 to 125 PSIG (0 to 8.6 bar) RRP-96-165
 - 0 to 250 PSIG (0 to 17.2 bar) RRP-96-166

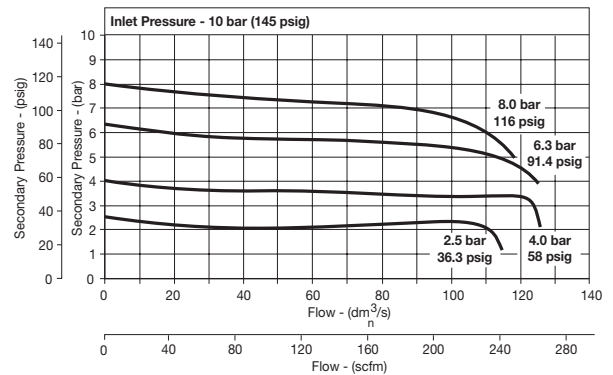
Accessories

- Panel Mount Nut –
 - Aluminum RRP-96-674
 - Plastic RRP-96-676
- Gauge, Pressure –
 - 50mm (2") round 1/4" center back mount
 - 0-30 PSIG / 0-2 bar K4520N14030
 - 0-60 PSIG / 0-4 bar K4520N14060
 - 0-160 PSIG / 0-11 bar K4520N14160
 - 0-300 PSIG / 0-20 bar K4520N14300
 - 0 to 160 PSIG, 1-3/4" Digital Round, 1/4" NPT K4517N14160D
- Tamper Resistant Kit RRP-96-672
- Wall Mounting Bracket
 - L-Type GPA-96-607
 - T-Type GPA-96-602

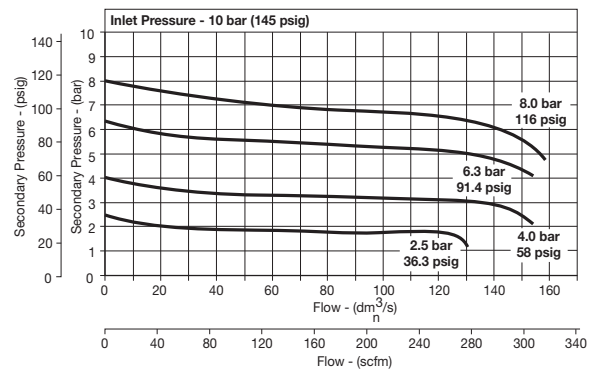
R28 3/8" Regulator



R28 1/2" Regulator



R28 3/4" Regulator



Ordering Information

Model Type	Port Size	With Gauge 5 to 125 PSIG (0.4 to 8.6 bar)	With Gauge 10 to 250 PSIG (0.7 to 17.2 bar)	With Gauge 3 to 60 PSIG (0.2 to 4.1 bar)	Without Gauge 5 to 125 PSIG (0.4 to 8.6 bar)
Relieving	3/8	R28-03-F0G0B	R28-03-G0G0B	R28-03-D0G0B	R28-03-F000B
	1/2	R28-04-F0G0B	R28-04-G0G0B	R28-04-D0G0B	R28-04-F000B
	3/4	R28-06-F0G0B	R28-06-G0G0B	R28-06-D0G0B	R28-06-F000B

Options - To order an option supplied with the unit model, add the appropriate coded suffix letter in the designated position of the model number.