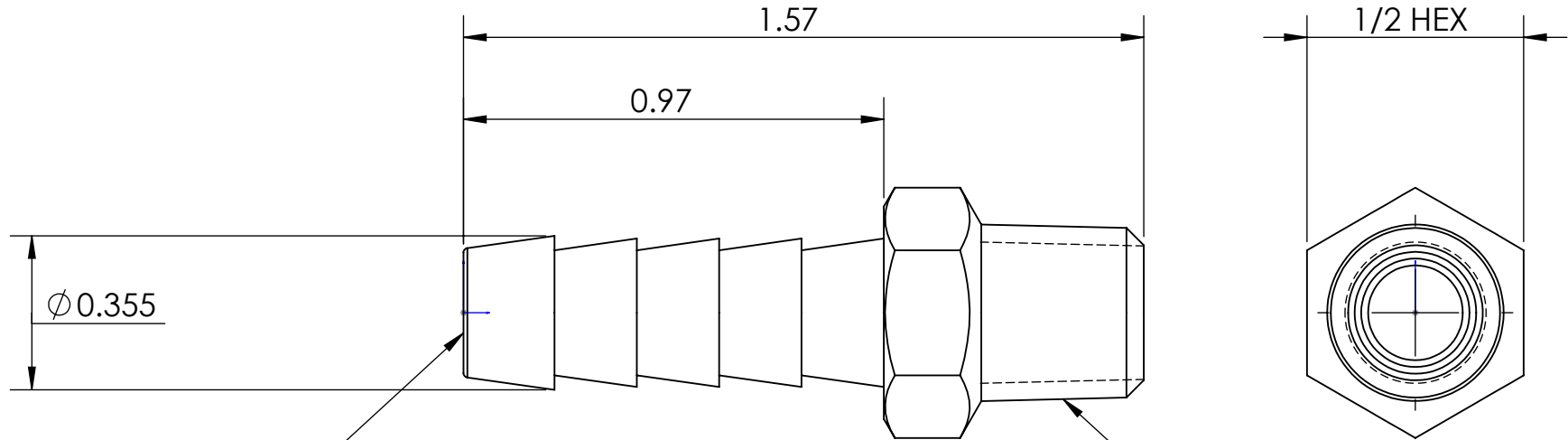
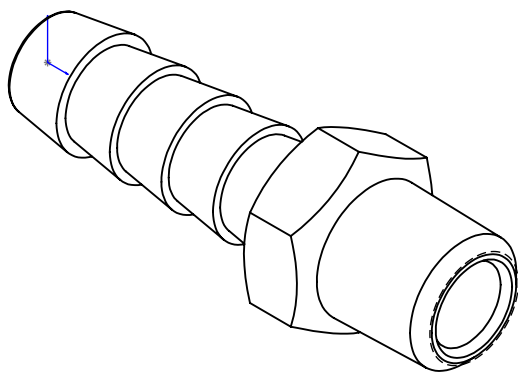



LINE DRAWING NOT FOR PRODUCTION PURPOSES



THRU HOLE DIA. .218

1/8 - 27 NPTF  
THREAD



THIS DRAWING CONTAINS INFORMATION DEEMED PROPRIETARY TO DIXON BRASS AND IS SO TO BE USED ONLY FOR THE PURPOSE FOR WHICH IT IS SUBMITTED, AND FURTHER, SHALL NOT BE COPIED IN WHOLE OR IN PART WITHOUT EXPRESS WRITTEN PERMISSION FIRST OBTAINED FROM DIXON BRASS.				
UNLESS OTHERWISE SPECIFIED:				
DIMENSIONS ARE IN INCHES		 The Right Connection™	<b>Dixon Brass</b> Westmont, Illinois USA	
TOLERANCES: ANGLES: ±0°30' .X (±.015) .XX (±.010) .XXX (±.005)				DRAWN P. MONAGHAN APPROVED
DIMENSIONS PER ANSI Y14.5		<b>TITLE:</b> 5/16 MALE HOSE BARB X 1/8 - 27 NPTF	ECO NO.	DRAWING NOT REPRODUCED TO SCALE
			SIZE <b>A</b>	DWG. NO. 1020502C