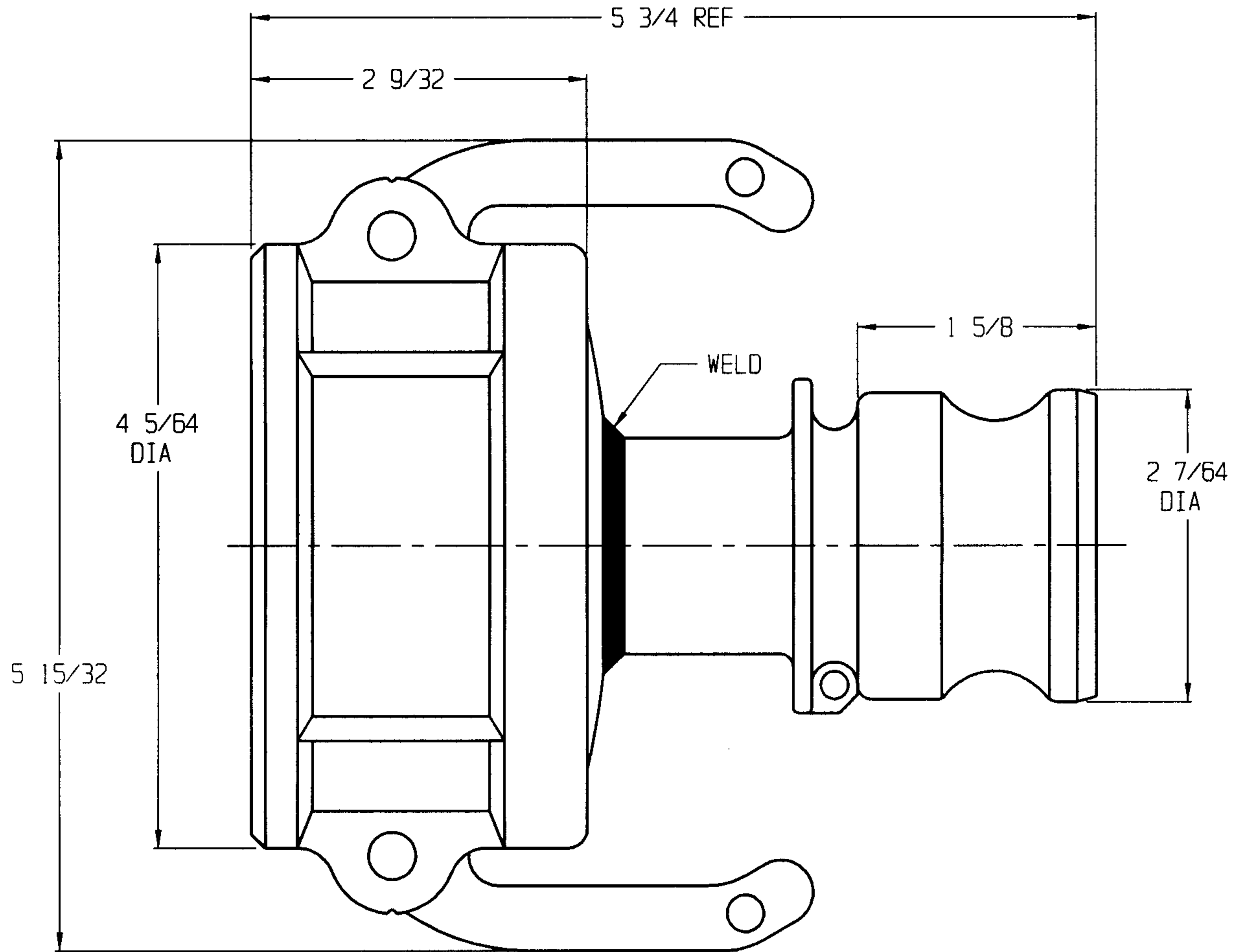


792126

6/10/09

CUSTOMER DWG



NOTES:

- 1) DIMENSION OVER OPEN CAM ARMS: 9 15/16

CUSTOMER DWG

AGREEMENT TO MAINTAIN CONFIDENTIALITY

This drawing is owned by Dixon Valve & Coupling Co. and shall be returned upon demand. It is loaned on condition that it shall not be copied or reproduced or submitted to others without the owners consent. In accepting it subject to this condition the recipient further agrees that this drawing or any design detail or concept disclosed herein shall not be used in any way detrimental to or in competition with the Owner. If the recipient does not agree to the terms of this agreement, they shall return this drawing immediately.



DIXON VALVE & COUPLING CO.
U. S. A.

TITLE 3015-DA-SS
 3" COUPLER x 1 1/2" ADAPTER

DRAWN BY: *Kristy*
 10/01/03

CHECKED BY:

APPROVAL: *JTB*
 10/2/03

MAT'L STAINLESS STEEL

792126