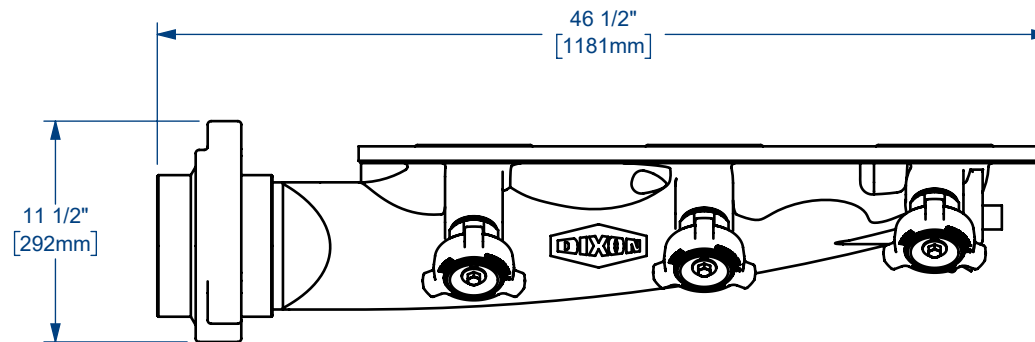
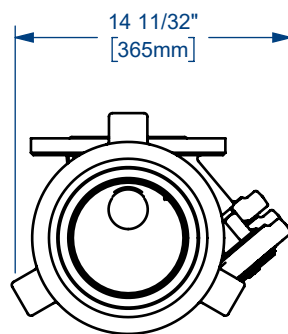


ITEM NO.	PART NUMBER	DESCRIPTION	MATERIAL	QTY.
1	3PORTM-6T	3-PORT ZOOMIE MANIFOLD WITH 6" MALE NPT INLET	SEE BOM	1
	<i>3PORTM-6T</i>	<i>3-PORT ZOOMIE MANIFOLD BODY</i>	<i>IRON</i>	<i>1</i>
	<i>O434BU</i>	<i>O-RING</i>	<i>BUNA-N</i>	<i>3</i>
	<i>PMBT875X175</i>	<i>7/8" SOCKET HEAD CAP SCREW x 1 3/4" LONG</i>	<i>CARBON STEEL</i>	<i>12</i>
	<i>HUWAS225OD</i>	<i>2 1/4" OD FLAT WASHER</i>	<i>CARBON STEEL</i>	<i>12</i>
2	HU206600	6" FIG. 206 THREADED HAMMER UNION	CARBON STEEL / IRON	1
3	HUF206200MT	2" FIG. 206 SERIES FEMALE HAMMER UNION x 2" MALE NPT ADAPTER	IRON	3
4	SHP100FS	1" SQUARE HEAD PLUG	STEEL	1
5	SHP200FS	2" SQUARE HEAD PLUG	STEEL	1
6	HUC206200	2" FIG.206 "BULL PLUG" STYLE CAP WITH STANDARD NUT	SEE BOM	3
	<i>HUC206200-1</i>	<i>2" 206 SERIES BULL PLUG BODY</i>	<i>CARBON STEEL</i>	<i>1</i>
	<i>HU206200N</i>	<i>2" FIG.206 FRAC NUT</i>	<i>CARBON STEEL</i>	<i>1</i>
	<i>WS-287</i>	<i>RETAINING RING</i>	<i>CARBON STEEL</i>	<i>1</i>
	<i>O228BU</i>	<i>O-RING</i>	<i>BUNA-N</i>	<i>1</i>
7	HUWAS125OD	FLAT WASHER 7/16" NOMINAL	CARBON STEEL	3
8	HUBT716X050	7/16" HEX HEAD BOLT x 1/2" LONG	CARBON STEEL	3
* 9	WSR1	KING SAFETY CABLE	STEEL	3



NOTE(S)

- 1) SCREW (PMBT875X175) AND WASHER (HUWAS225OD) IN ITEM 1 AND SAFETY CABLE (WSR1) ITEM 9 NOT SHOWN.



The Right Connection™

dixonvalve.com

PROPRIETARY AND CONFIDENTIAL

This drawing is owned by Dixon Valve & Coupling Co. and shall be returned upon demand. It is loaned on condition that it shall not be copied or reproduced or submitted to others without the owners consent. In accepting it subject to this condition the recipient further agrees that this drawing or any design detail or concept disclosed herein shall not be used in any way detrimental to or in competition with the owner. If the recipient does not agree to the terms of this agreement they shall return this drawing immediately. The information contained in this drawing is subject to change without notice.

DO NOT SCALE THIS DRAWING

DIXON U.S.A.

THE RIGHT CONNECTION™

TITLE: **3-PORT ZOOMIE MANIFOLD ASSEMBLY**

MATERIAL: **SEE BOM**

PART NUMBER: **3PM6T-S5**