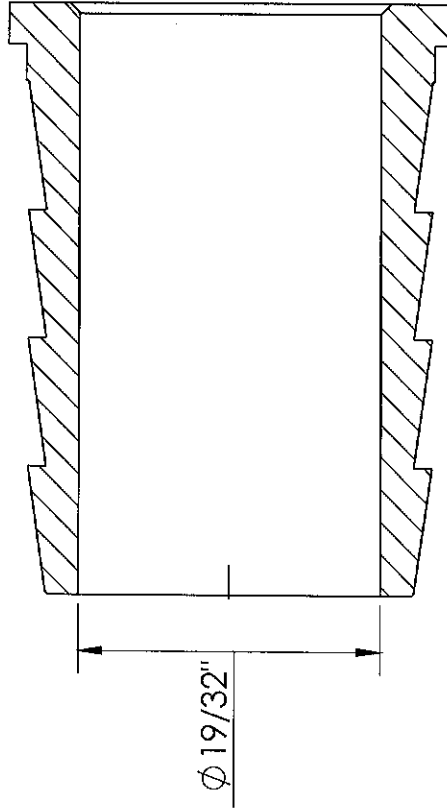
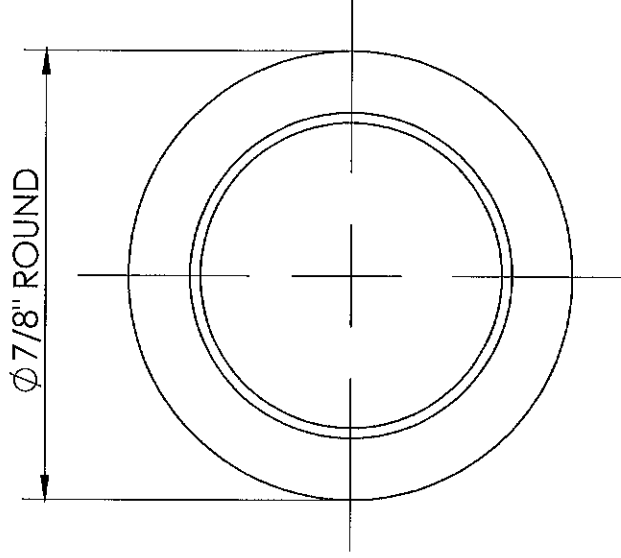
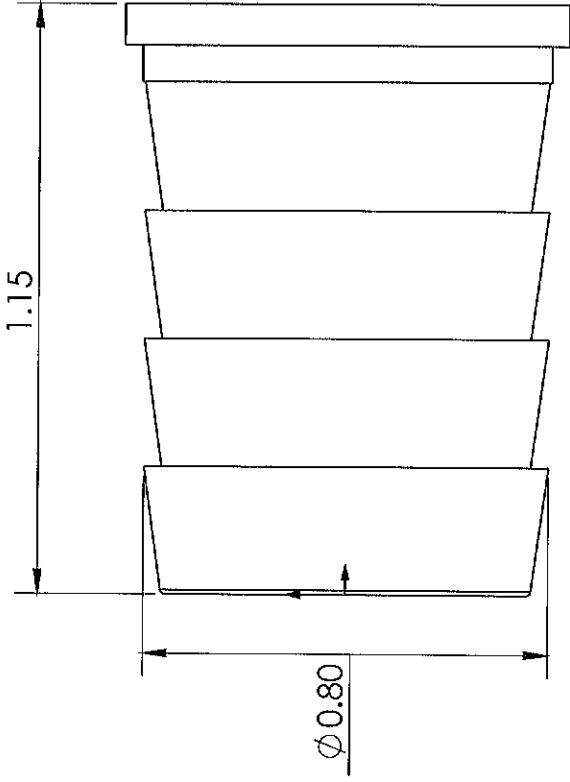


LINE DRAWING NOT FOR PRODUCTION PURPOSES



MATERIAL 7/8" ROUND ALLOY 360 BRASS

This drawing is owned by Dixon Valve & Coupling Co. and shall be returned upon demand. It is loaned on condition that it shall not be copied or reproduced or submitted to others without the owner's consent. In accepting it, subject to this condition, the recipient further agrees that this drawing or any design detail or concept disclosed herein shall not be used in any way detrimental to or in competition with the owner. If the recipient does not agree to the terms of this agreement they shall return this drawing immediately. The information contained in this drawing is subject to change without notice.

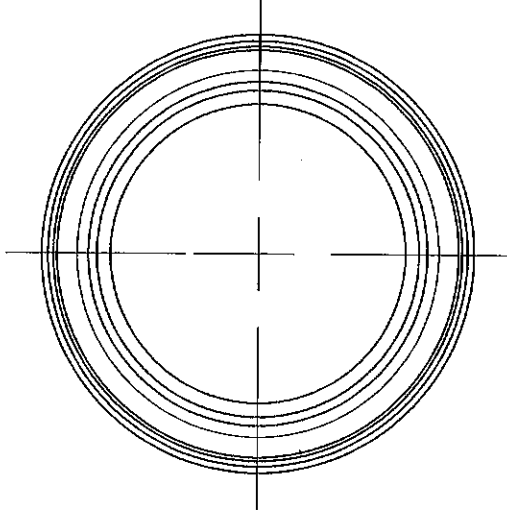
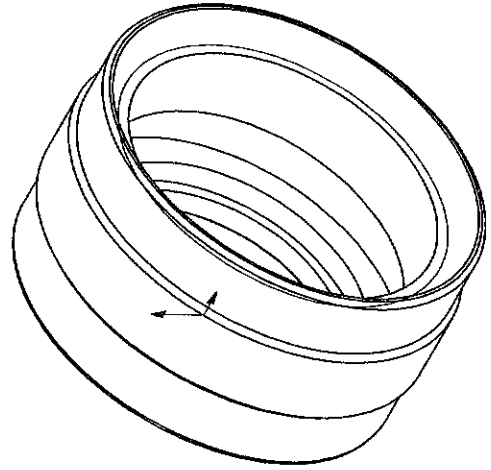
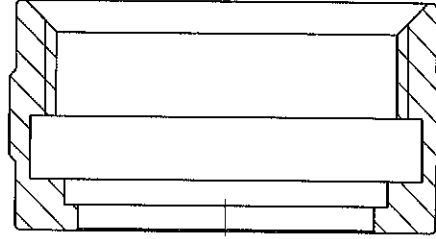
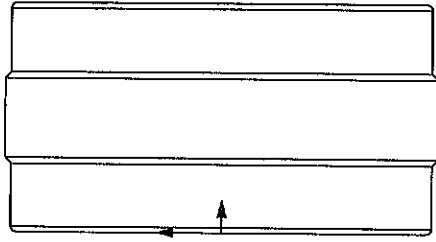


Dixon Brass
Westmont, Illinois USA

DRAWN	DATE
H. BARRERA	12/12/17
APPROVED	DATE
ECO NO.	

DO NOT SCALE THIS DRAWING	
SIZE	DWG. NO.
A	5861212S
TITLE:	REV
3/4 GARDEN HOSE STEM (3 BARB)	A

LINE DRAWING NOT FOR PRODUCTION PURPOSES



MATERIAL 1 1/3/16 RD ALLOY 360 BRASS

This drawing is owned by Dixon Valve & Coupling Co. and shall be returned upon demand. It is loaned on condition that it shall not be copied or reproduced or submitted to others without the owner's consent. In accepting it, subject to this condition, the recipient further agrees that this drawing or any design detail or concept disclosed herein shall not be used in any way detrimental to or in competition with the owner. If the recipient does not agree to the terms of this agreement they shall return this drawing immediately. The information contained in this drawing is subject to change without notice.



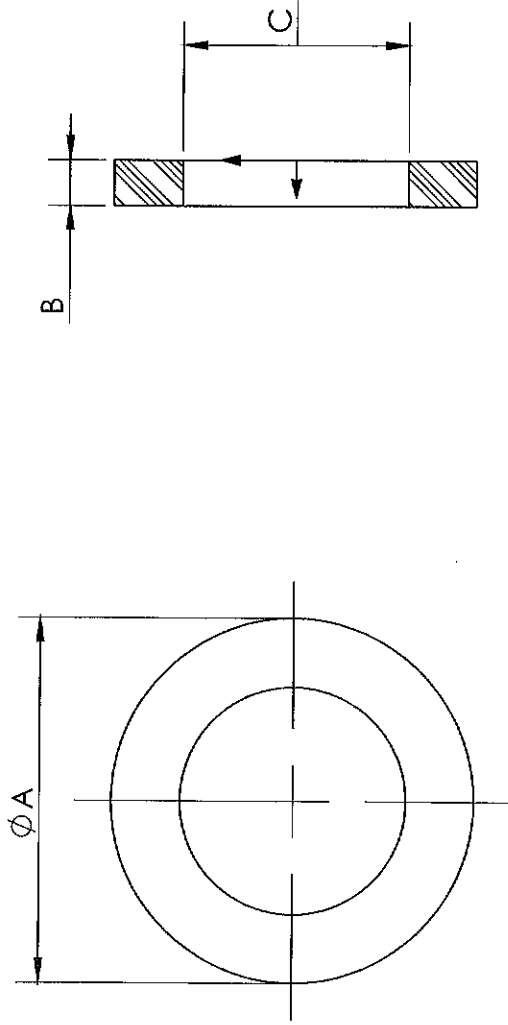
Dixon Brass
Westmont, Illinois USA

DRAWN	DATE
P. MONAGHAN	8/30/18
APPROVED	DATE

ECO NO.

DO NOT SCALE THIS DRAWING	
SIZE	DWG. NO.
A	5861012N
REV	D

REV	COMMENTS	DATE
B	REDRAWN	5/31/19



PART NUMBER	A	B	C
5911212W	1.000 \pm .010	.125 \pm .005	.625 \pm .010
5911616W	1.270 \pm .020	.125 \pm .005	.860 \pm .010
MATERIAL BLACK SBR 80 DURO			
PART NUMBER	A	B	C
5911212WEPDM	1.000 \pm .010	.125 \pm .005	.625 \pm .010
5911616WEPDM	1.270 \pm .020	.125 \pm .005	.860 \pm .010
MATERIAL BLACK PEROXIDE CURE EPDM NSF61,70 DURO WITH WHITE STRIPE			

THIS DRAWING CONTAINS INFORMATION DEEMED PROPRIETARY TO DIXON BRASS AND IS SO TO BE USED ONLY FOR THE PURPOSE FOR WHICH IT IS SUBMITTED, AND FURTHER, SHALL NOT BE COPIED IN WHOLE OR IN PART WITHOUT EXPRESS WRITTEN PERMISSION FIRST OBTAINED FROM DIXON BRASS, UNLESS OTHERWISE SPECIFIED.

DIMENSIONS ARE IN INCHES
 TOLERANCES:
 ANGLES: \pm 0°30'
 .X (\pm .015)
 .XX (\pm .010)
 .XXX (\pm .005)
 DIMENSIONS PER ANSI Y14.5

Dixon Brass
Westmont, Illinois USA

DIXON
The Right Connection

DRAWN: P. MONAGHAN
 APPROVED: _____
 DATE: 5/31/19

ECO NO. _____
 DRAWING NOT REPRODUCED TO SCALE

TITLE: GARDEN HOSE WASHER

SIZE: A
 DWG. NO.: 591 SERIES
 REV: B