

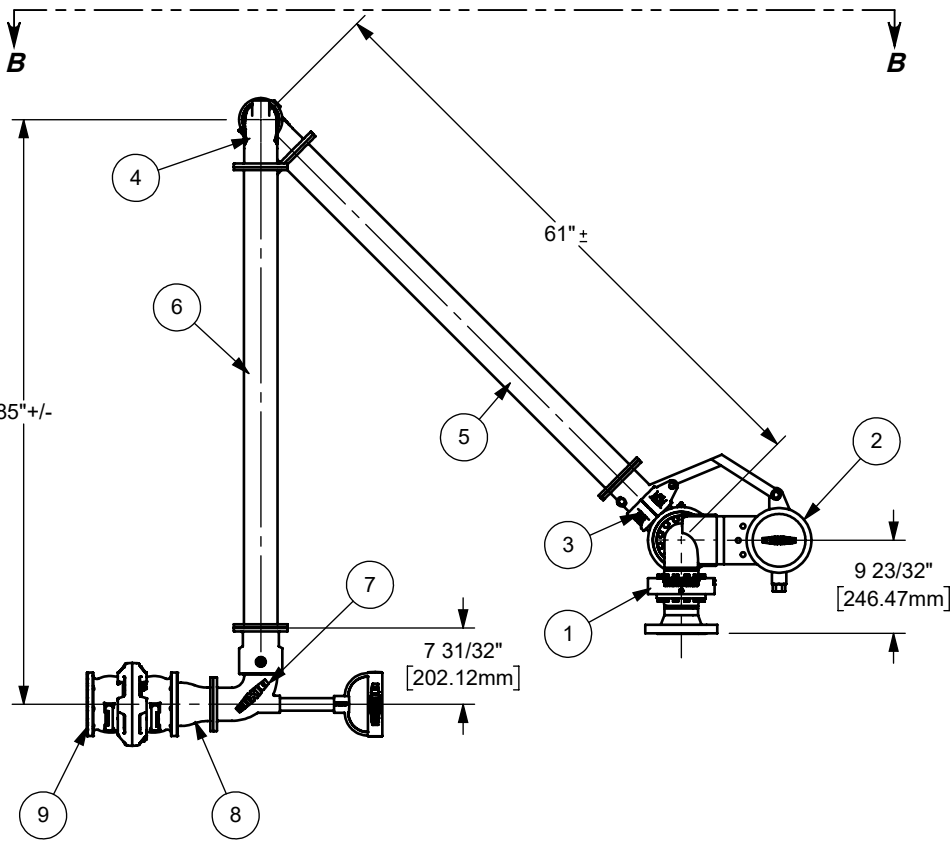
SECTION B-B

10 1/32"
[254.41mm]

9 5/32"
[232.28mm]

16 3/4"
[425.78mm]

ISOMETRIC VIEW



9	VAPOR RECOVERY	VAPOR RECOVERY COUPLING	MISC.	1
8	SBC300ALMNPT	3" BREAKAWAY WITH MALE NPT ENDS	ALUMINUM	1
7	33HTFXFAL	3" STYLE 30 SWIVEL WITH TTMA FLANGES X FEMALE NPT AND HANDLE	ALUMINUM	1
6	COMPOSITE HOSE - 72	3" HOSE W/ TTMA FLANGES	MISC.	1
5	3LAL-TFXTF-48	3" SCHEDULE 40 WITH TTMA FLANGES	ALUMINUM	1
4	340TFXTFAL	3" STYLE 40 SWIVEL WITH TTMA FLANGES	ALUMINUM	1
3	ESB-CLAMP-3	3" CLAMP	IRON	1
2	ESB1-A	LIGHT Spring Counterbalance	MISC.	1
1	SF350FGXTFCS	3INCH SPLITFLANGE STYLE 50 SWIVEL WITH 150 lbs. X TTMA WITH CB	CARBON STEEL	1
ITEM NO.	PART NUMBER	DESCRIPTION	MATERIAL	QTY.



The Right Connection™
dixonvalve.com

PROPRIETARY AND CONFIDENTIAL

This drawing is owned by Dixon Valve & Coupling Co. and shall be returned upon demand. It is loaned on condition that it shall not be copied or reproduced or submitted to others without the owners consent. In accepting it subject to this condition the recipient further agrees that this drawing or any design detail or concept disclosed herein shall not be used in any way detrimental to or in competition with the owner. If the recipient does not agree to the terms of this agreement they shall return this drawing immediately. The information contained in this drawing is subject to change without notice.

DO NOT SCALE THIS DRAWING

DIXON U.S.A.

THE RIGHT CONNECTION™

TITLE: 3" A-FRAME STYLE LOADING ARM

MATERIAL: SEE B.O.M.

PART NUMBER: A30530A31580119