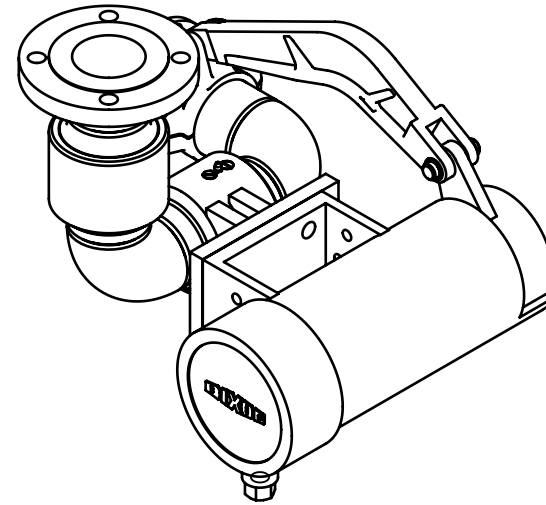


ISOMETRIC VIEW



CUSTOMER APPROVAL: \_\_\_\_\_ DATE: \_\_\_\_\_

5	ESB1-B	COUNTERBALANCE	-	1
4	ESB-CLAMP-3	3" CLAMP	IRON	1
3	350FGTFC31100CB	3" STYLE 50 V-RING SWIVEL JOINT - 150# FLANGE X TIMA FLANGE (6" EXTENSION)	CARBON STEEL	1
2	CBOPWSLOTTED	COUNTERBALANCE BRACKET SLOTTED	CARBON STEEL	1
1	3VCBbracket	3" V-RING WELDED BRACKET	CARBON STEEL	2
ITEM NO.	PART NUMBER	DESCRIPTION	MATERIAL	QTY.

**PROPRIETARY AND CONFIDENTIAL**

This drawing is owned by Dixon Valve & Coupling Co. and shall be returned upon demand. It is loaned on condition that it shall not be copied or reproduced or submitted to others without the owners consent. In accepting it subject to this condition the recipient further agrees that this drawing or any design detail or concept disclosed herein shall not be used in any way detrimental to or in competition with the owner. If the recipient does not agree to the terms of this agreement they shall return this drawing immediately. The information contained in this drawing is subject to change without notice.

**DIXON U.S.A.**

THE RIGHT CONNECTION™

TITLE:  
3" RIGHT HAND DOWNFEED BASE SWIVEL FOR LOADING ARM

MATERIAL:  
CARBON STEEL

PART NUMBER:  
**B3100000000001**

**DO NOT SCALE THIS DRAWING**

**NOTE:**

Loading arms have been designed to work in a set range of motion and calculated to balance the provided equipment. If additional items are installed (such as tie-down chains, drip buckets, valves, vapor hoses etc.) it will adversely affect the balance and range of the loading arm. All loading arms are custom made to order and are not returnable, however Dixon is committed to providing a solution to any unforeseen issue.



The Right Connection™

dixonvalve.com