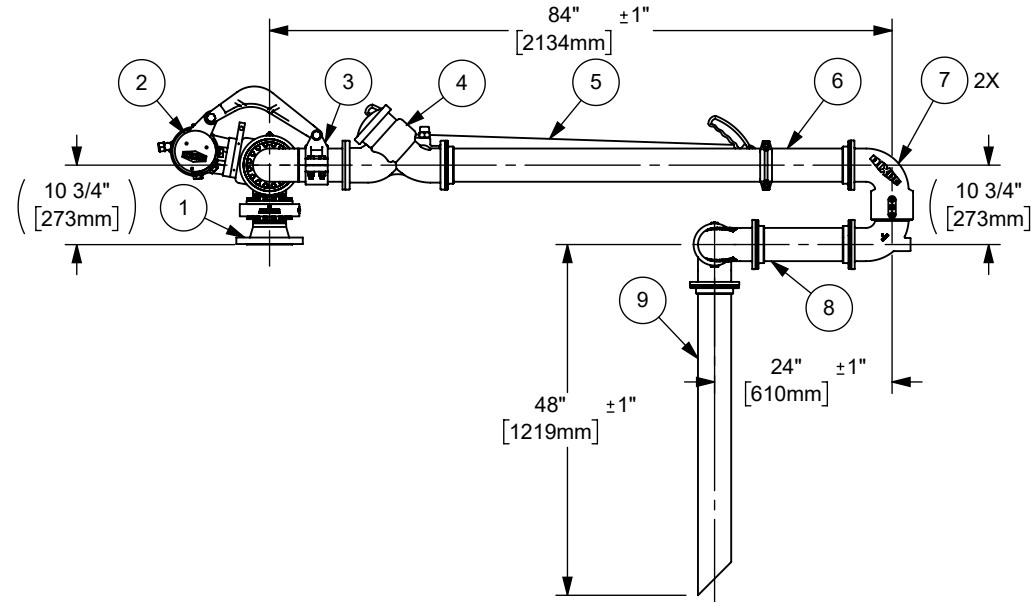


CROPPED VIEW



PRODUCT TO BE CONVEYED: FUEL
 SWIVEL SEALS (CONTACTING PRODUCT): FKM
 GREASE: STANDARD (LITHIUM SEMI-SYNTHETIC)
 MAX PRESSURE: 72 PSI
 ESTIMATED LOADING ARM WEIGHT: 276.144 lbs
 TEMPERATURE RANGE: 14°F THRU 212°F

DISTRIBUTOR APPROVAL: _____ DATE: _____

CUSTOMER APPROVAL: _____ DATE: _____

NOTE:

Loading arms have been designed to work in a set range of motion and calculated to balance the provided equipment. If additional items are installed (such as tie-down chains, drip buckets, valves, vapor hoses etc.) it will adversely affect the balance and range of the loading arm. All loading arms are custom made to order and are not returnable, however Dixon is committed to providing a solution to any unforeseen issue. Loading arm part numbers are subject to change.



The Right Connection™

dixonvalve.com

9	4LAL-TFX45-42	4" SCHEDULE 40 PIPE W/ TTMA FLANGE X 45 DEGREE CUT END	ALUMINUM	1
8	4LAL-TFXTF-13	4" SCHEDULE 40 PIPE W/ TTMA FLANGES	ALUMINUM	1
7	440TFXTFAL11000	4" STYLE 40 O-RING SWIVEL W/ TTMA FLANGES	ALUMINUM	2
6	4LAL-TFXTF-55	4" SCHEDULE 40 PIPE W/ TTMA FLANGES	ALUMINUM	1
5	TLRVK-400X48AL	4" TOP LOADING VALVE REMOTE HANDLE KIT	ALUMINUM	1
4	TLV-400TFVBVIAL	4" DEADMAN VALVE	ALUMINUM	1
3	ESB-CLAMP-4	4" CLAMP	IRON	1
2	ESB1-C	COUNTERBALANCE	-	1
1	SF450FGTFCS10CB	4" STYLE 50 SPLIT FLANGE SWIVEL W/ TTMA X 150 lbs. FLANGES & CB MOUNT	CARBON STEEL	1
ITEM NO.	PART NUMBER	DESCRIPTION	MATERIAL	QTY.

PROPRIETARY AND CONFIDENTIAL

This drawing is owned by Dixon Valve & Coupling Co. and shall be returned upon demand. It is loaned on condition that it shall not be copied or reproduced or submitted to others without the owners consent. In accepting it subject to this condition the recipient further agrees that this drawing or any design detail or concept disclosed herein shall not be used in any way detrimental to or in competition with the owner. If the recipient does not agree to the terms of this agreement they shall return this drawing immediately. The information contained in this drawing is subject to change without notice.

DIXON U.S.A.

THE RIGHT CONNECTION™

TITLE: 4" RIGHT HAND LOADING ARM ASSEMBLY

MATERIAL: SEE BOM

PART NUMBER: **CVFG55JAU42HC0N**

DO NOT SCALE THIS DRAWING